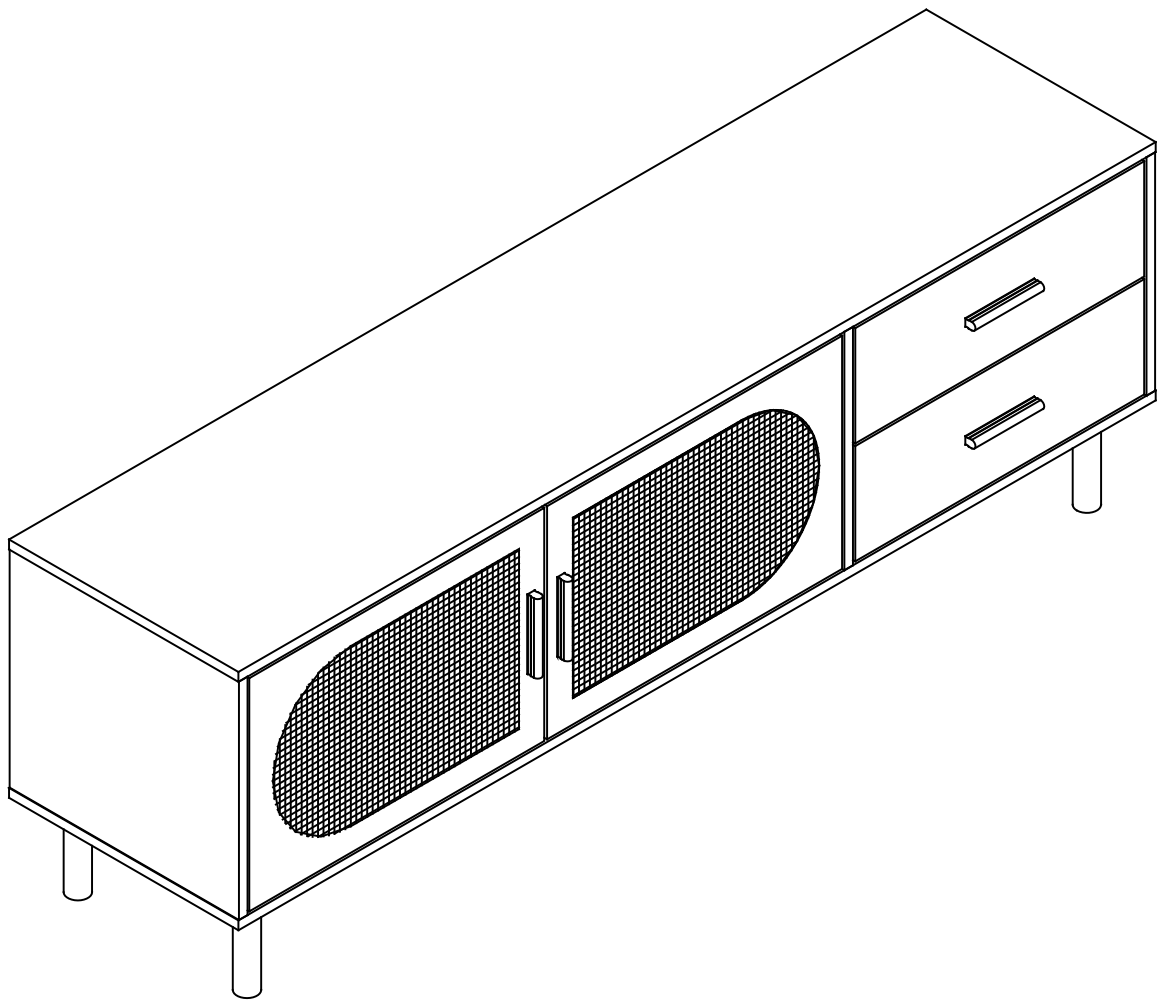


# Canyon

## Entertainment Unit

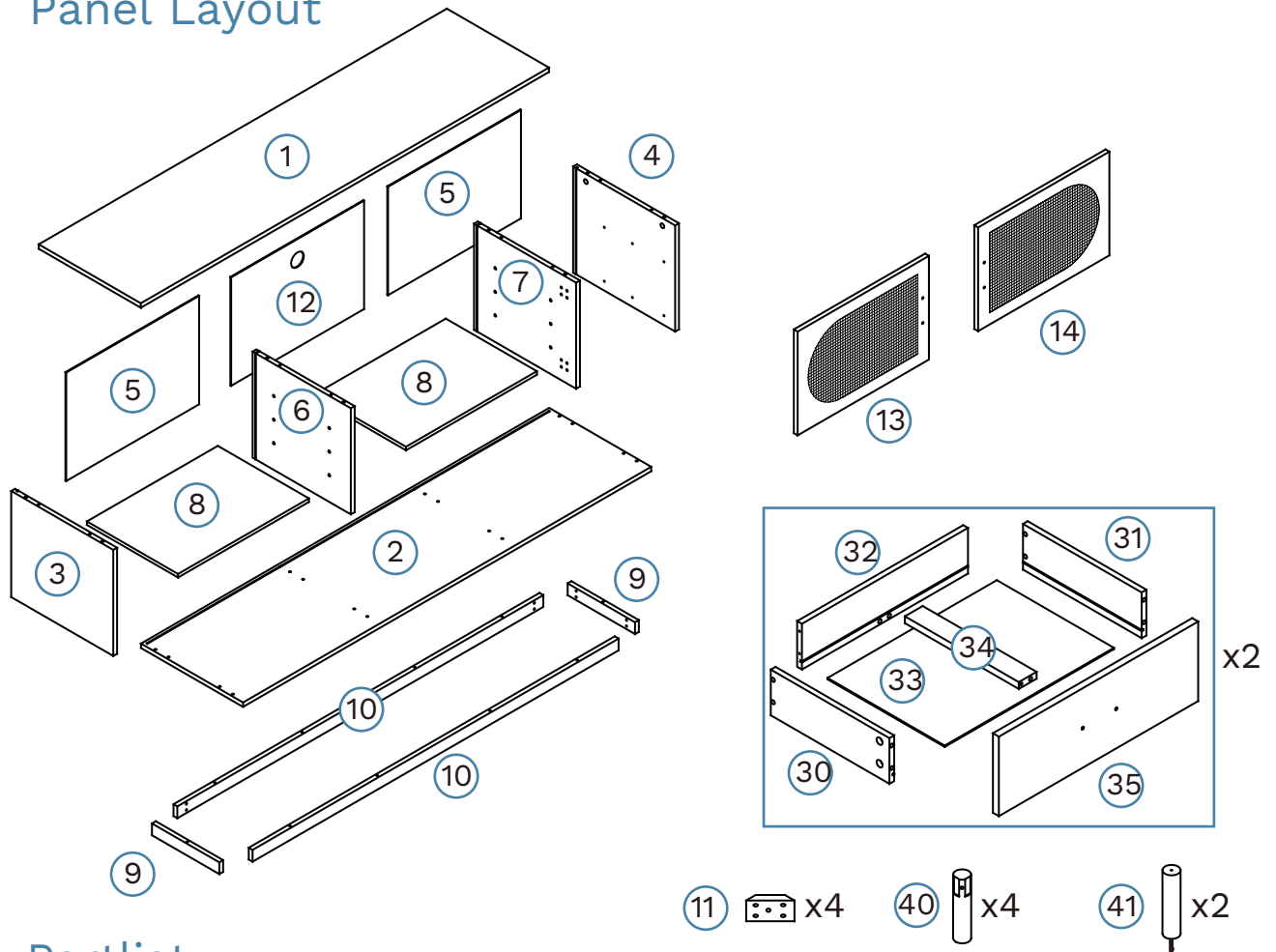
Thank you for your purchase. Please follow the instructions for correct assembly. While we took great effort to ensure these assembly instructions were correct at the time of printing, sometimes updates are required post production. For the most up to date versions please refer to the product page on our website. [mocka.com.au/mocka.co.nz](http://mocka.com.au/mocka.co.nz)



# Canyon

Entertainment Unit

## Panel Layout


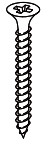




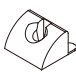







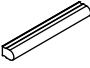










## Partlist






①	Top Panel	x1	⑫	back Panel	x1
②	Bottom Panel	x1	⑬	Left Door	x1
③	Left Side Panel	x1	⑭	Right Door	x1
④	Right Side Panel	x1	⑳	Left Drawer Side	x2
⑤	Back Panel	x2	㉑	Right Drawer Side	x2
⑥	Divider	x1	㉒	Drawer Back	x2
⑦	Divider	x1	㉓	Drawer Base	x2
⑧	Shelf Panel	x2	㉔	Rail	x2
⑨	Rail	x2	㉕	Drawer Front	x2
⑩	Rail	x2	㉖	Leg	x4
⑪	Block	x4	㉗	Support Leg	x2

# Canyon

Entertainment Unit

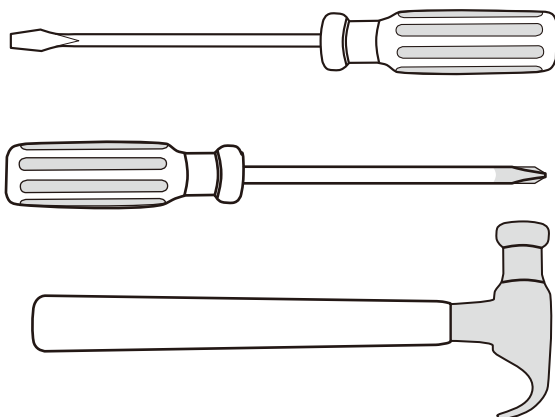
<b>A</b>  dowel x18	<b>B</b>  screw x18	<b>C</b>  bolt x18	<b>D</b>  locking nut x18	<b>E</b>  screw x20	<b>F</b>  bolt x4	<b>G</b>  wedge x8	<b>H</b>  screw x8	<b>I</b>  Allen Key x1	<b>J</b>  washer x4	<b>K</b>  seal x4	<b>L</b>  plastic glide x4
<b>M</b>  screw x12	<b>N</b>  screw x24	<b>O</b>  handle x4	<b>P</b>  shelf plug x8	<b>Q</b>  adjuster x2	<b>R</b>  hinge x4	<b>S</b>  hinge screw x24	<b>CL</b>  slide rail x2	<b>CR</b>  slide rail x2	<b>DL</b>  slide rail x2	<b>DR</b>  slide rail x2	

**HARDWARE SUPPLIED**

<b>V</b>  safety strap x2	<b>W</b>  screw x 2	<b>X</b>  wall anchor x 2	<b>Y</b>  wall screw x 2	<b>Z</b>  washer x 4
-----------------------------------------------------------------------------------------------------------------------	-----------------------------------------------------------------------------------------------------------------	-----------------------------------------------------------------------------------------------------------------------	------------------------------------------------------------------------------------------------------------------------	--------------------------------------------------------------------------------------------------------------------

**WALL STRAP**

**WARNING:** Any furniture that is not anchored to a wall has the potential to tip over in certain circumstances, i.e. if a child attempts to climb up on the furniture or in the event of an earthquake. Accordingly, we recommend that all furniture is anchored to a wall. We supply a free safety wall anchor with all furniture sold and we recommend these are used to prevent your product tipping. The fixing device provided should fit most wall types, but please note that different wall materials may require different fixing devices from those supplied.

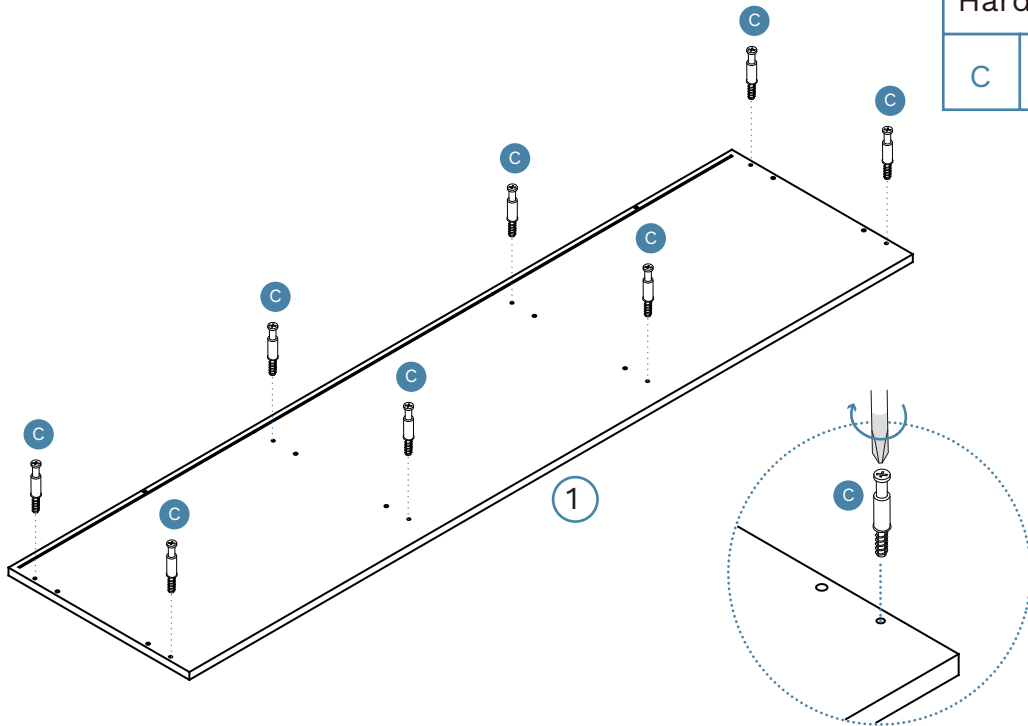



Phillips & Flathead screwdrivers  
and hammer required  
**For quicker assembly, we recommend the  
use of a power drill on a low-speed setting.**

# Canyon

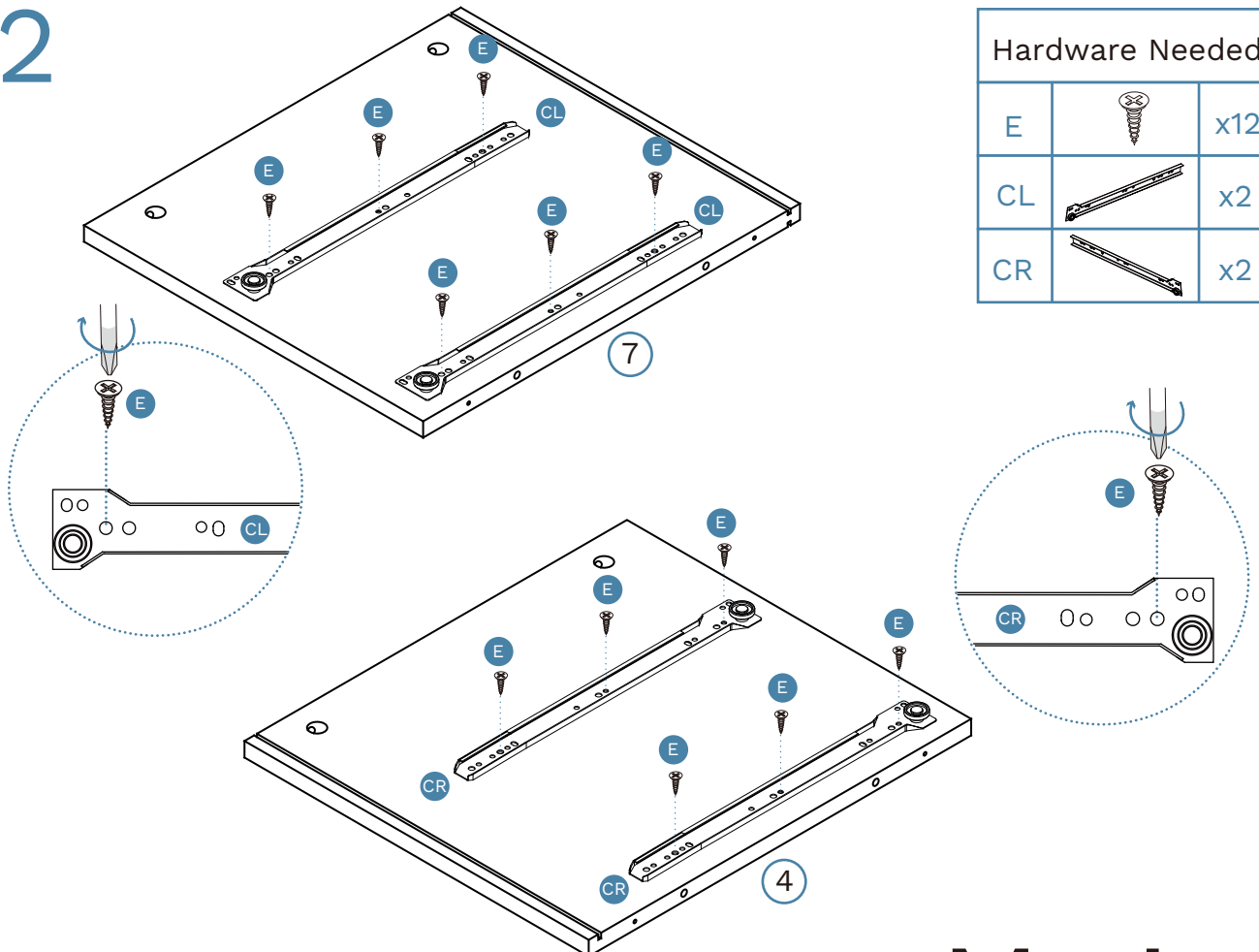
Entertainment Unit




1



Hardware Needed		
C		x8

2

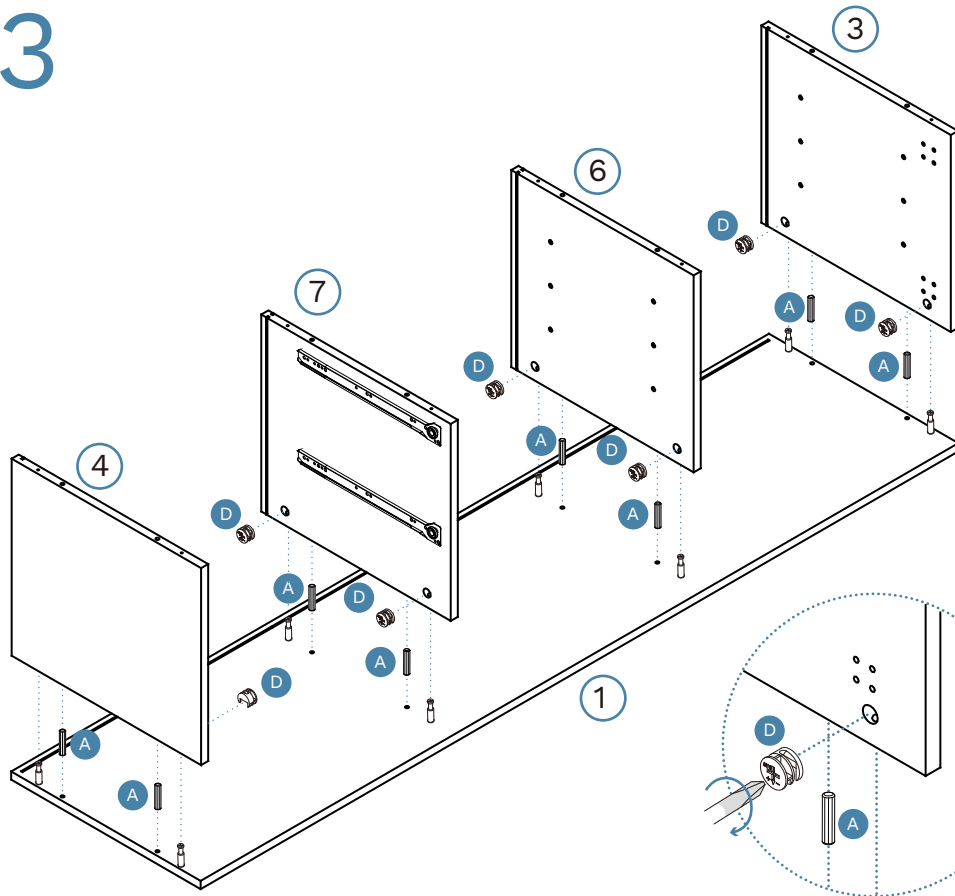


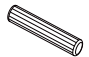

Hardware Needed		
E		x12
CL		x2
CR		x2

# Canyon

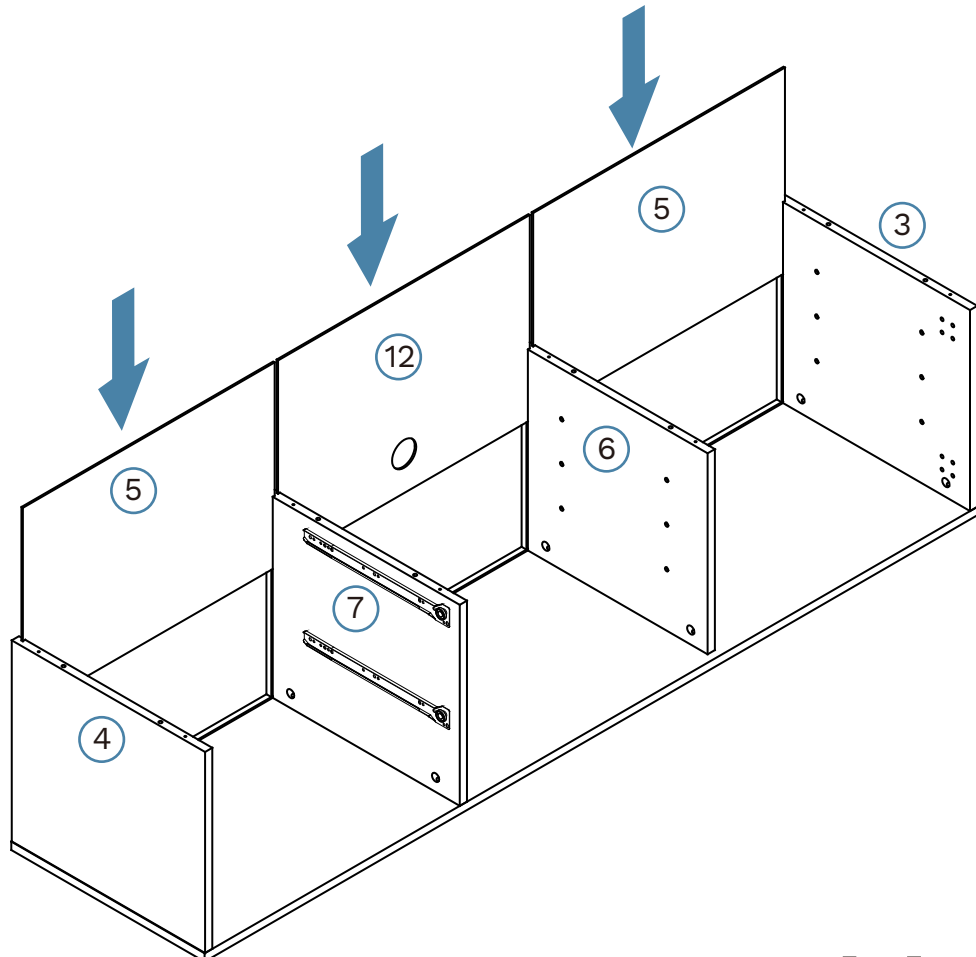
Entertainment Unit

3



Hardware Needed		
A		x8
D		x8

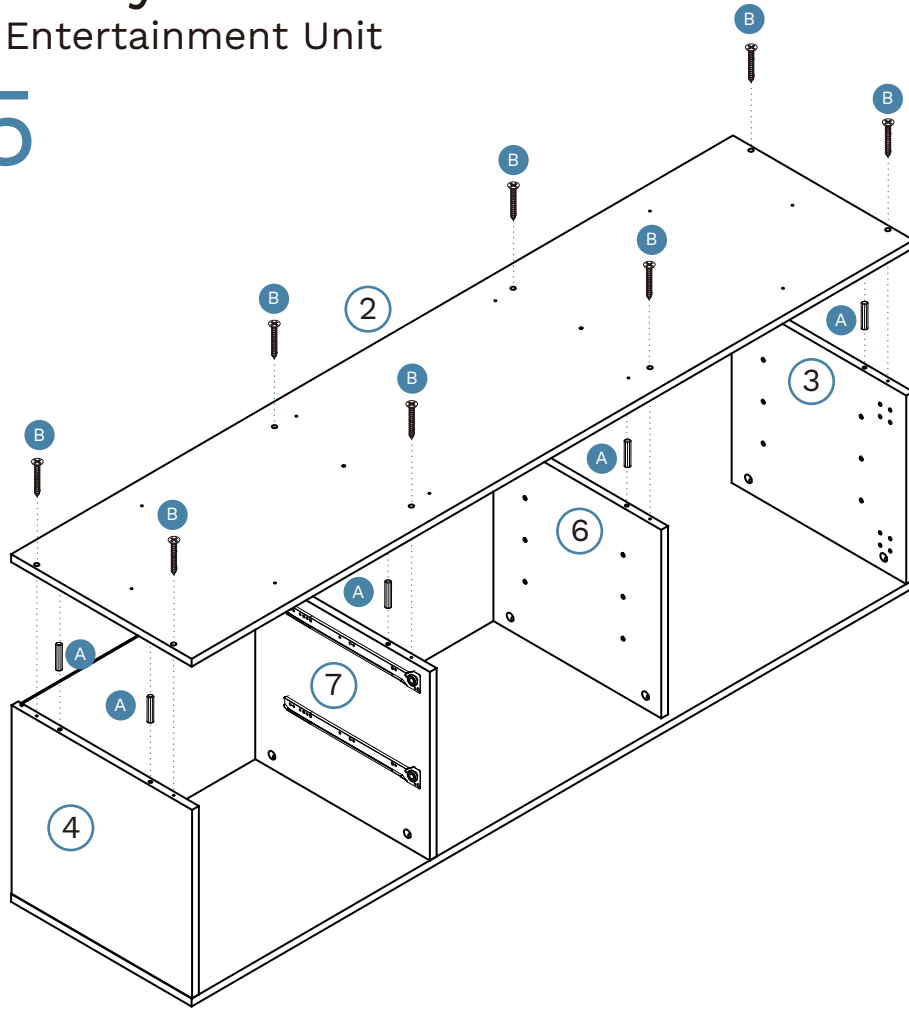
4





# Canyon

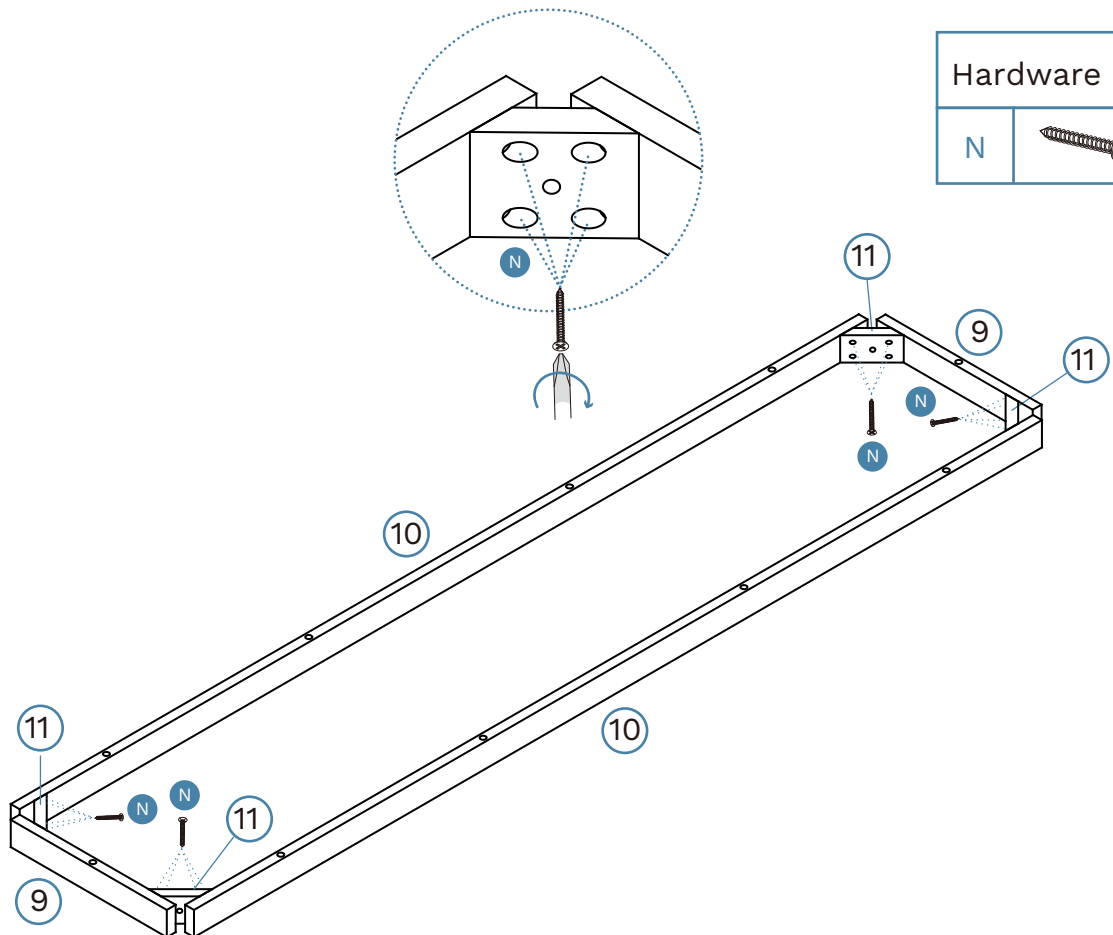
Entertainment Unit


5



Hardware Needed		
A		x8
B		x8

6

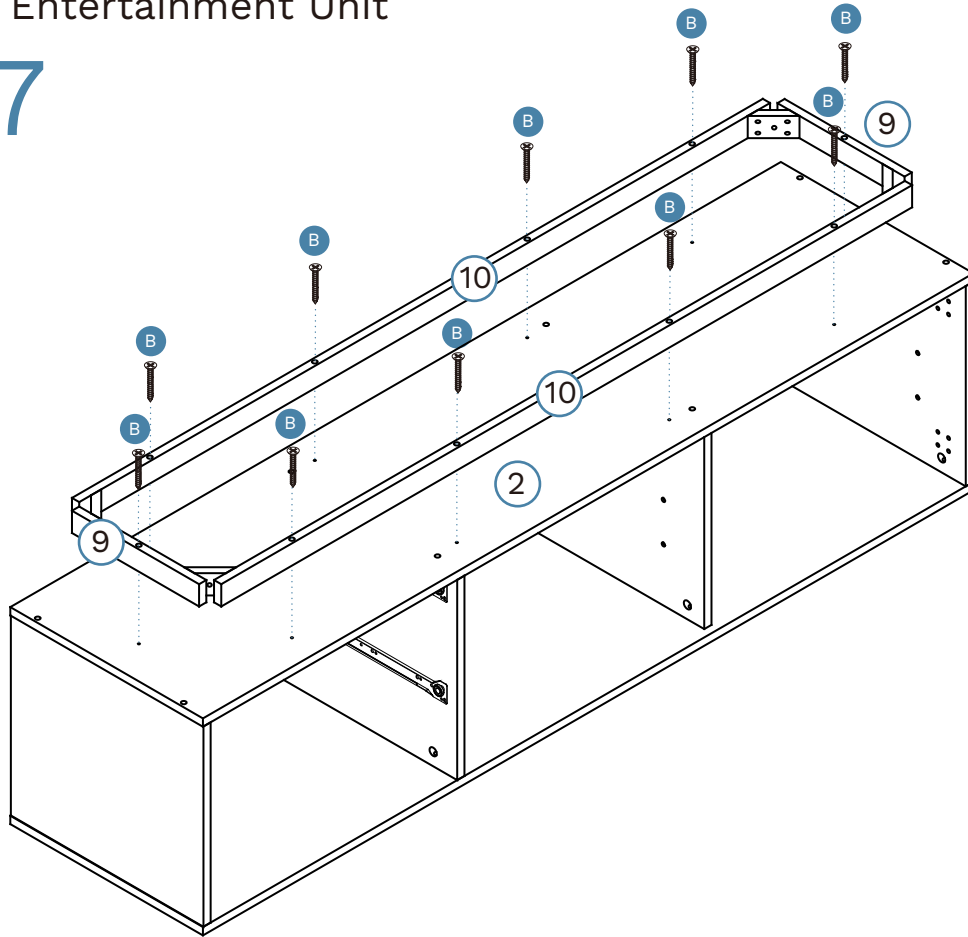



Hardware Needed		
N		x16

# Canyon

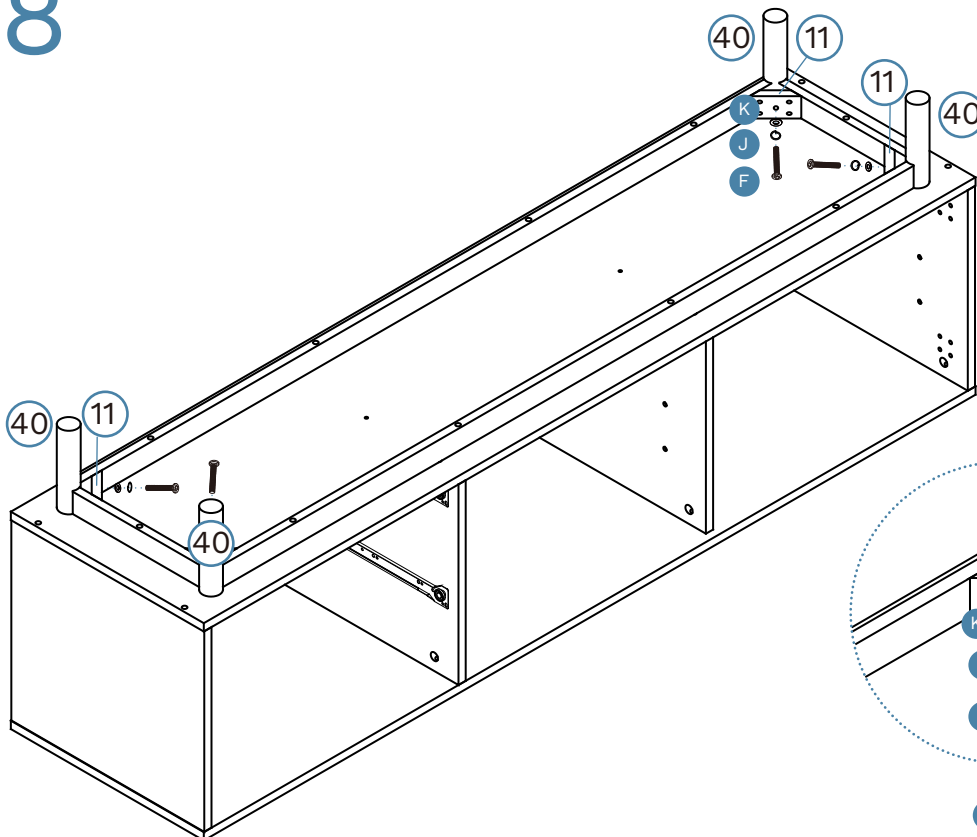
Entertainment Unit


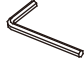


7

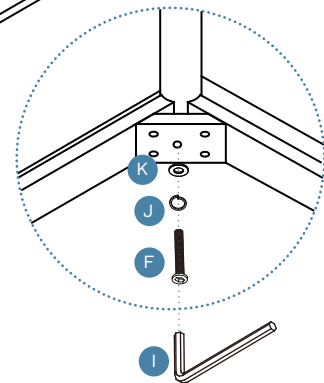


Hardware Needed		
B		x10

8



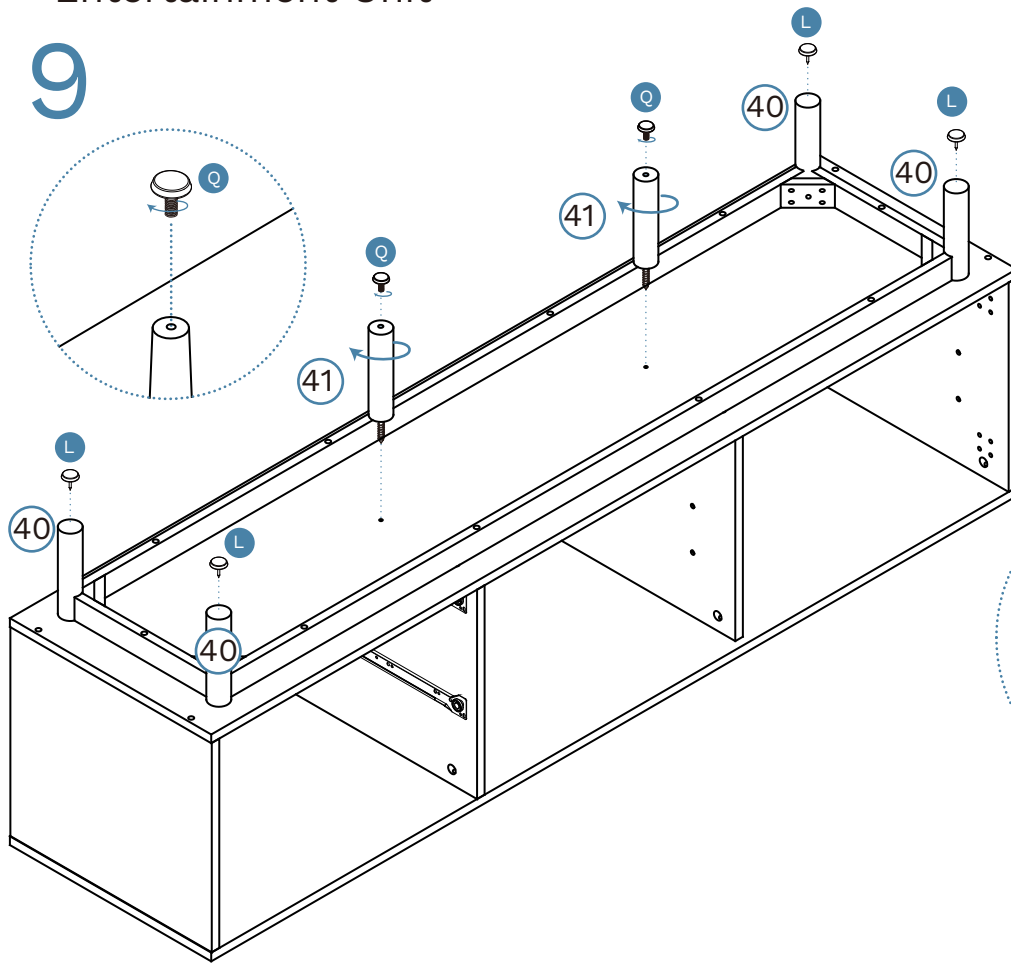
Hardware Needed		
F		x4
I		x1
J		x4
K		x4



# Canyon

Entertainment Unit

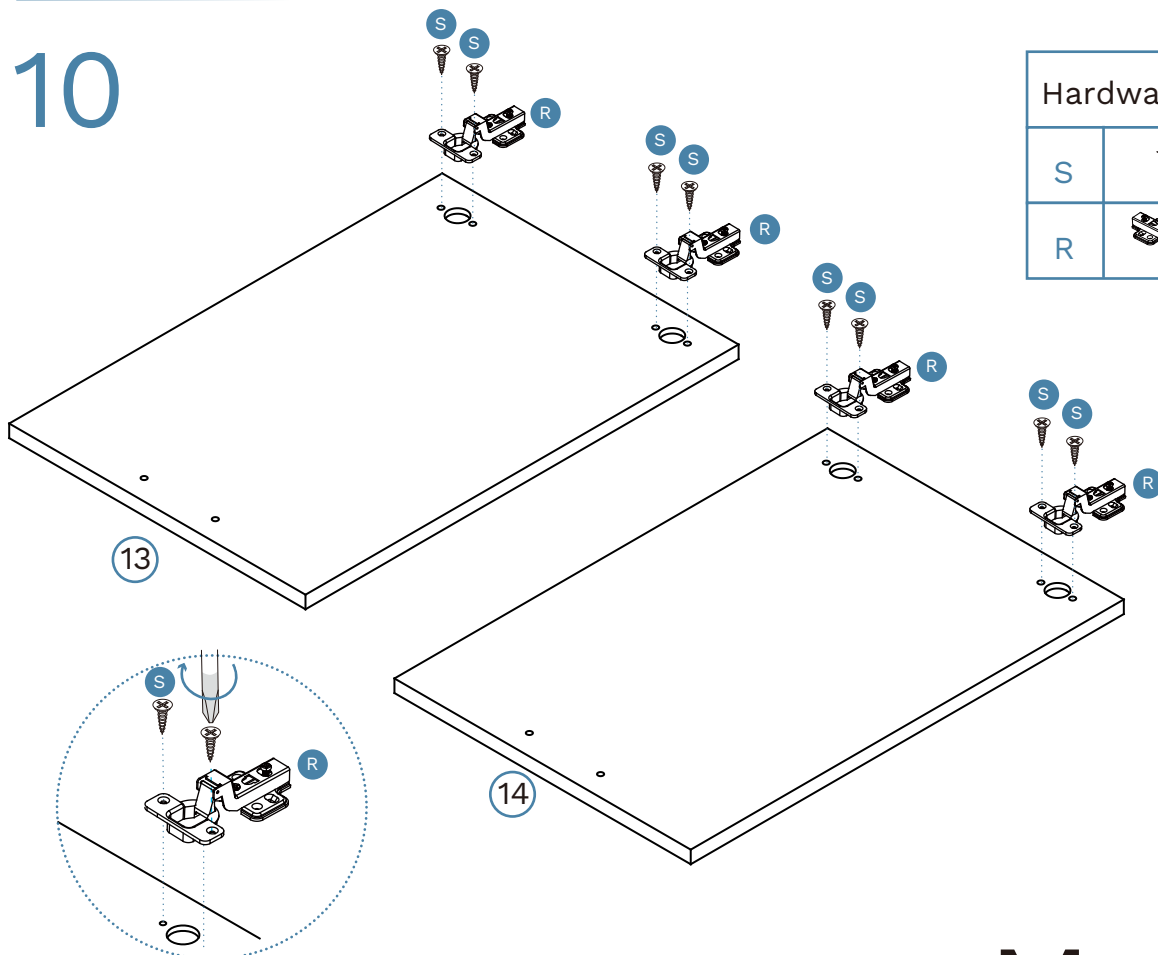
9



Hardware Needed		
L		x4
Q		x2

TURN OVER

10



Hardware Needed		
S		x8
R		x4

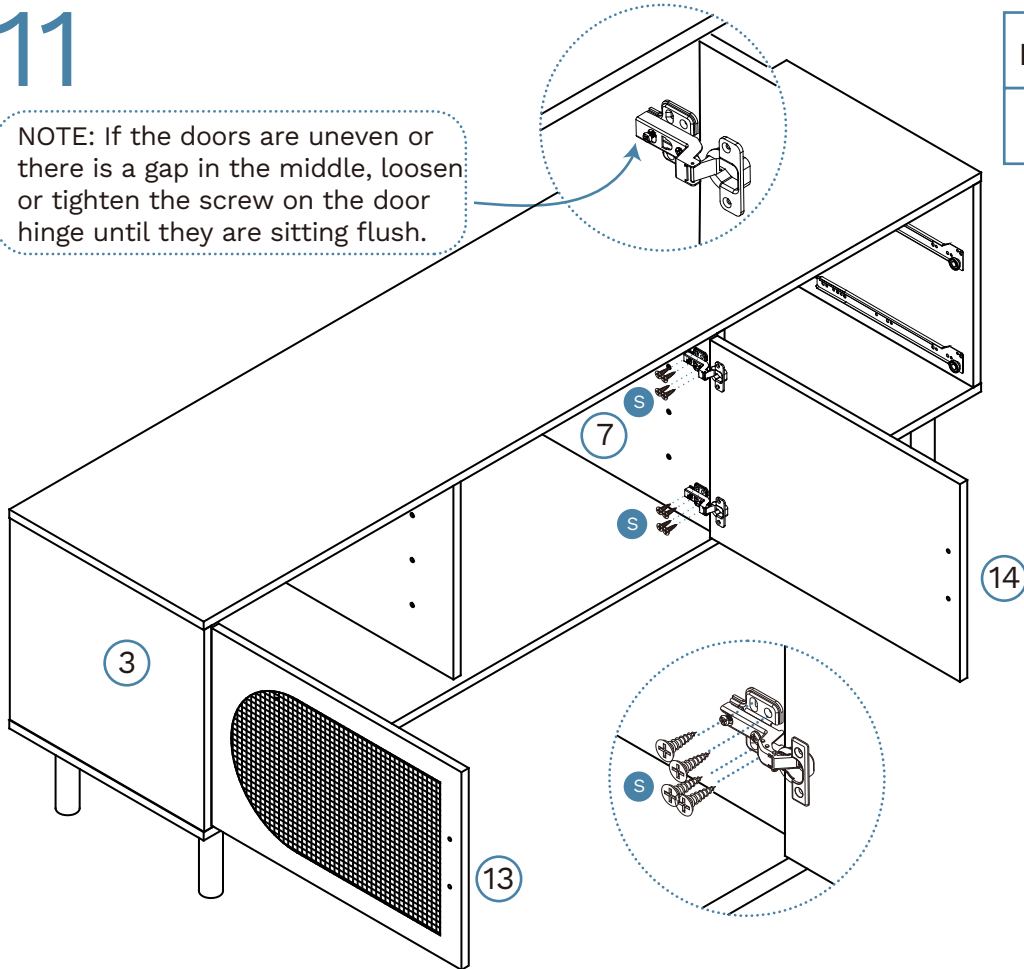


# Canyon

## Entertainment Unit

11

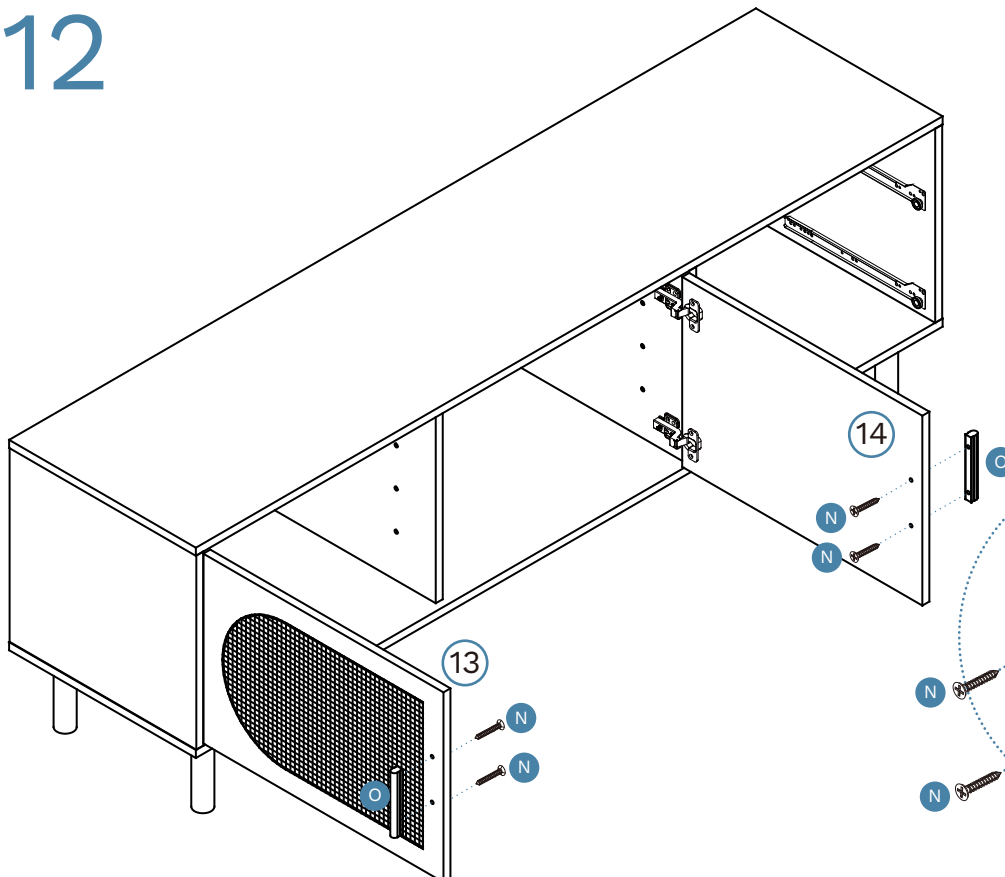
NOTE: If the doors are uneven or there is a gap in the middle, loosen or tighten the screw on the door hinge until they are sitting flush.





Hardware Needed

S		x16
---	-------------------------------------------------------------------------------------	-----

12



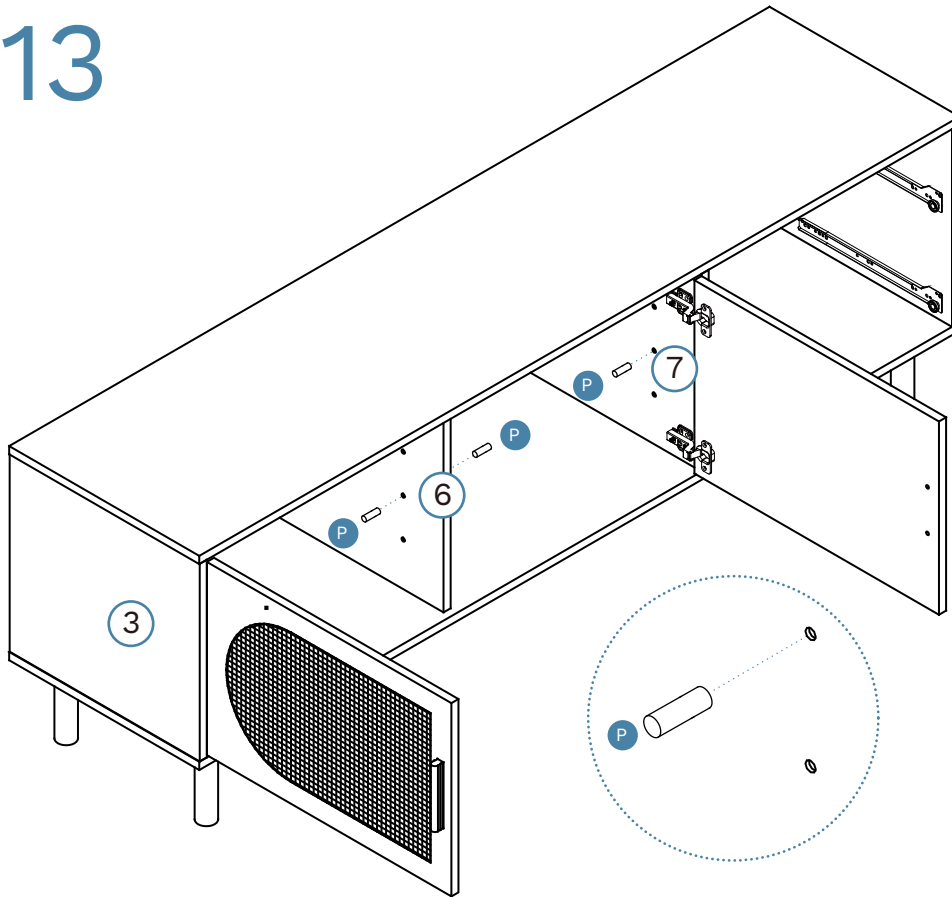
Hardware Needed


N		x4
O		x2

# Canyon

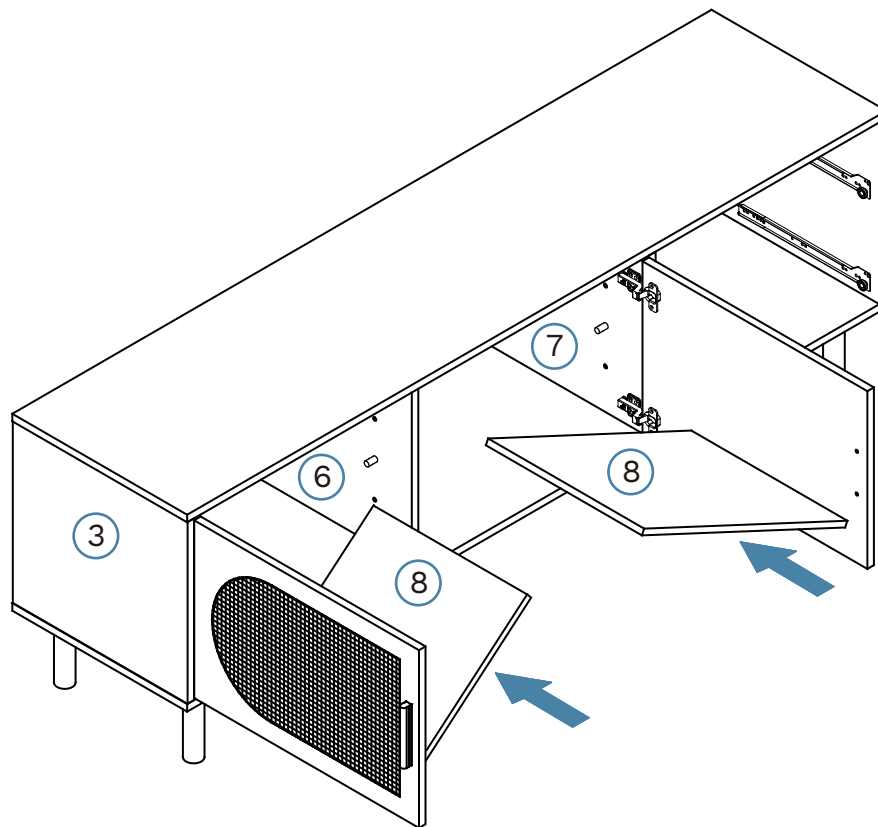
Entertainment Unit

13



Hardware Needed		
P		x8

14




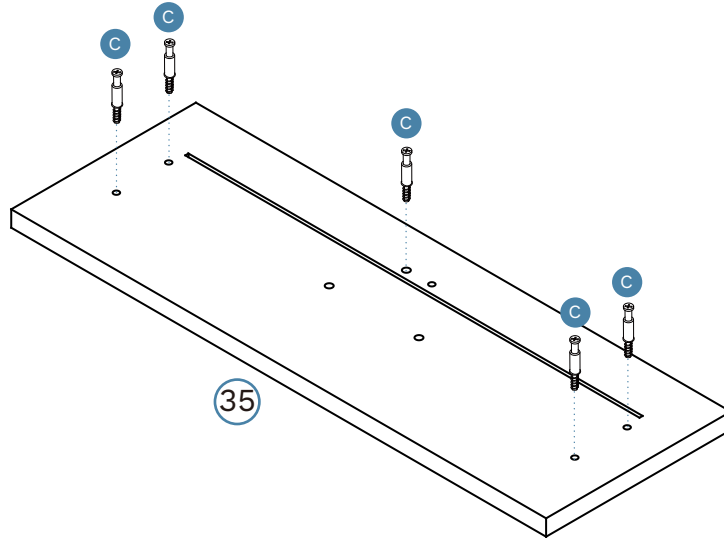
Rest the shelf panels [8] onto shelf plug (P). Ensure the shelves are balanced and stable.

# Canyon



Entertainment Unit

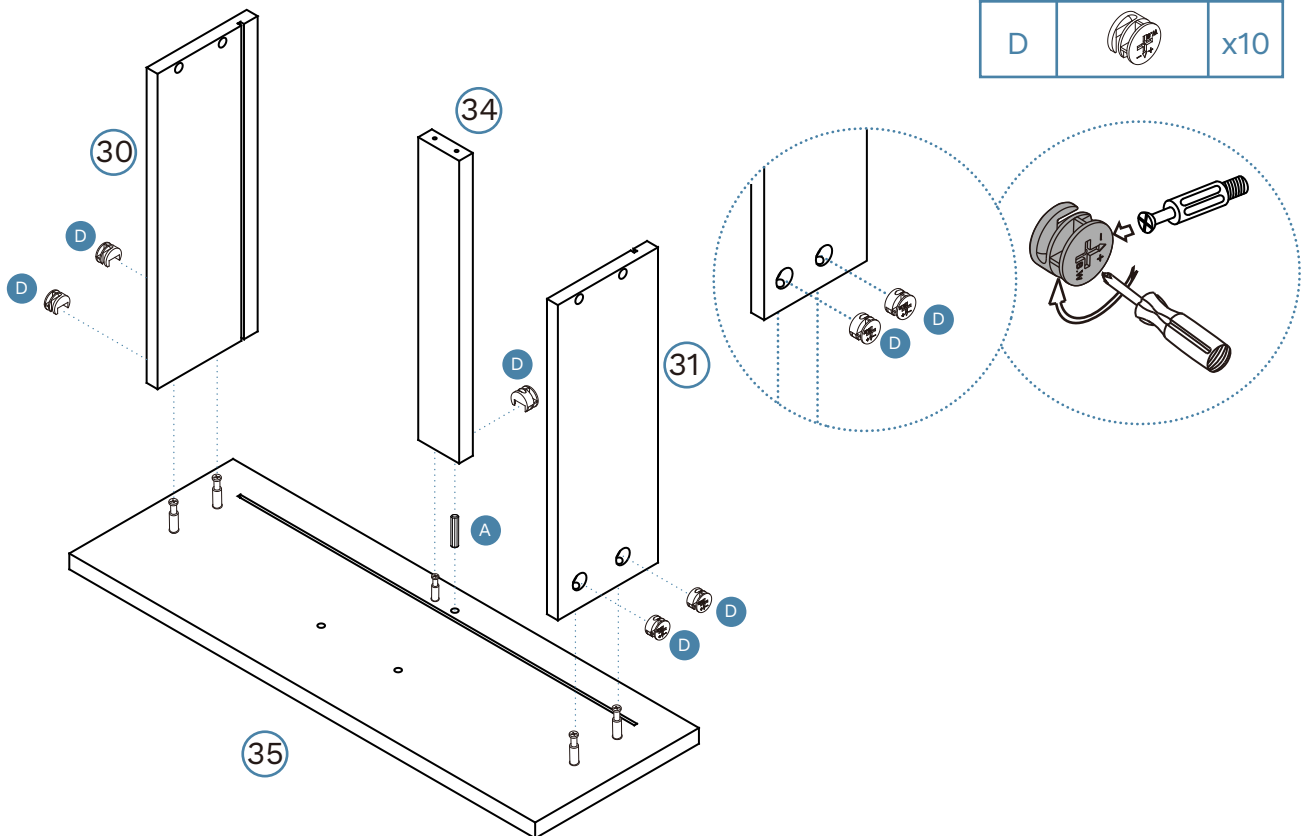
## 15 Drawer x2

Hardware Needed		
C		x10



## 16 Drawer x2

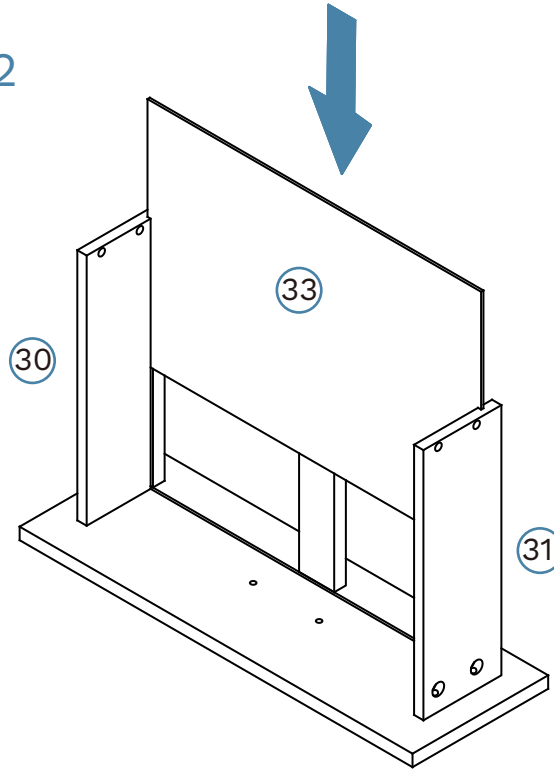
Hardware Needed		
A		x2
D		x10




# Canyon

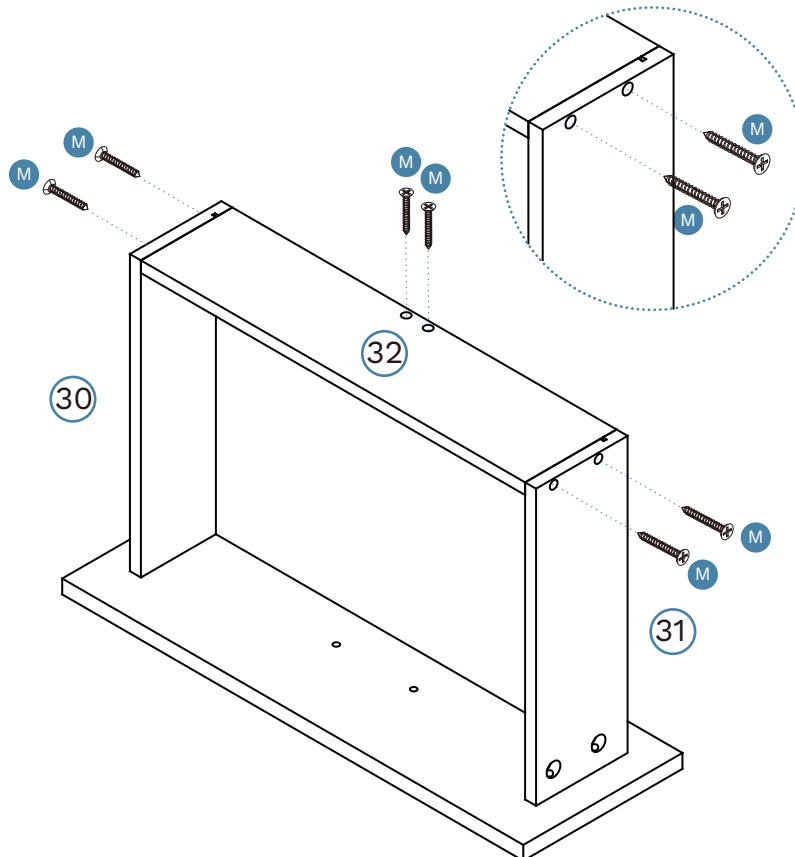
Entertainment Unit

## 17 Drawer x2



## 18 Drawer x2

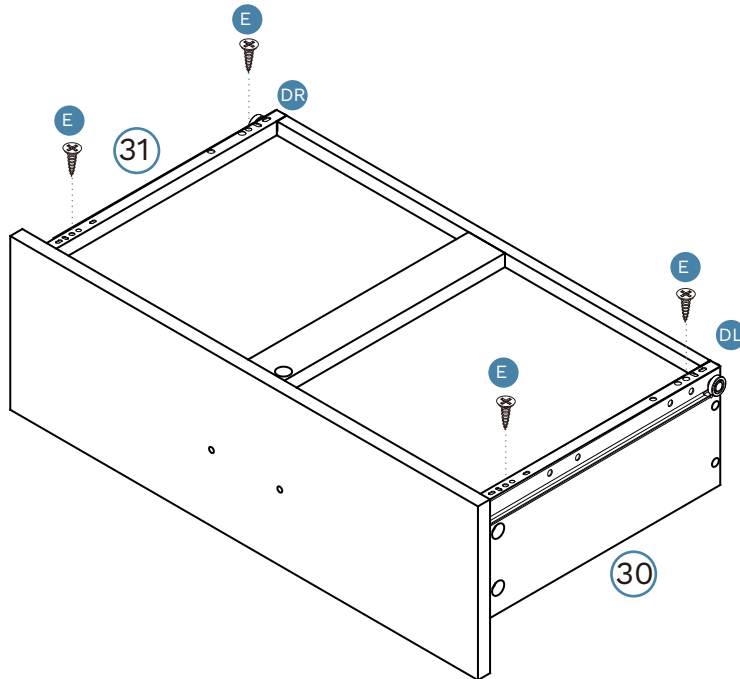
Hardware Needed		
M		x12






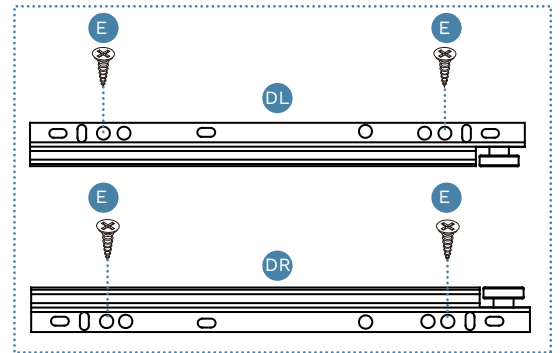
# Canyon

Entertainment Unit

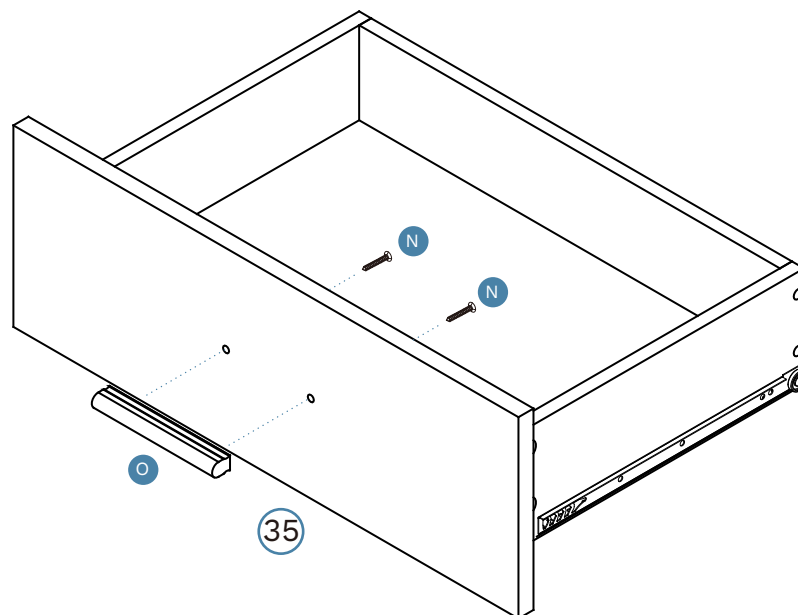
## 19 Drawer x2





Hardware Needed		
E		x8
DL		x2
DR		x2



## 20 Drawer x2

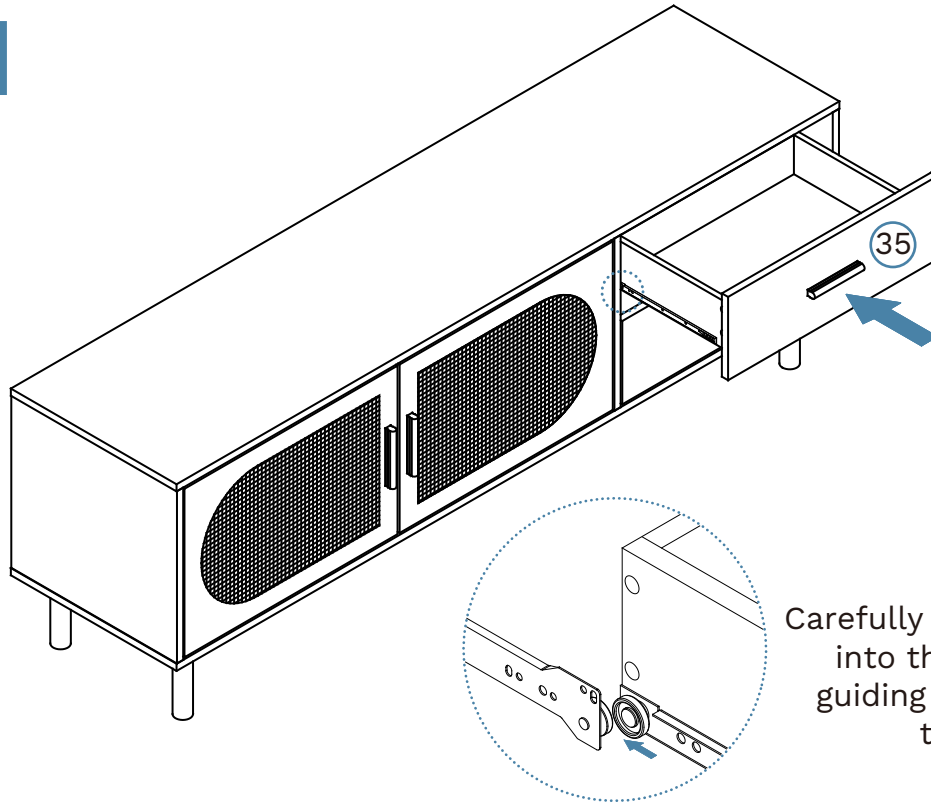


Hardware Needed		
N		x4
O		x2

# Canyon

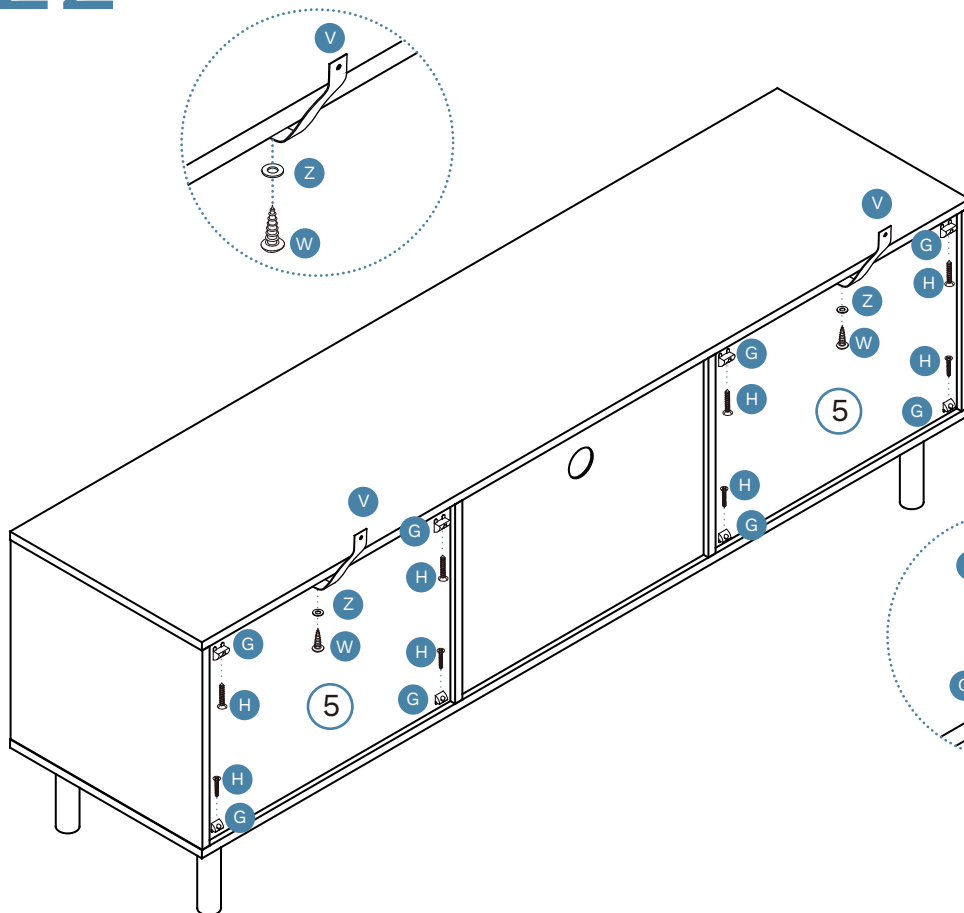
Entertainment Unit

21



Carefully insert the drawers into the unit by gently guiding the runners into the tracks.

22

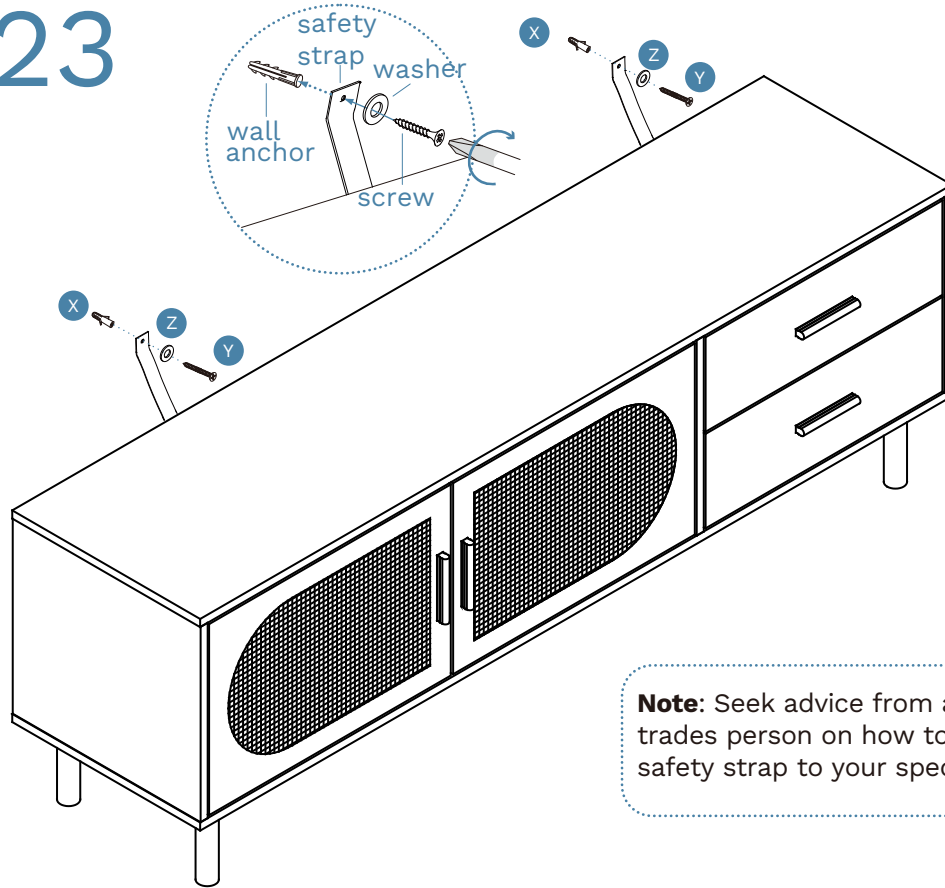





Hardware Needed		
G		x8
H		x8
V		x2
W		x2
Z		x2

# Canyon

Entertainment Unit

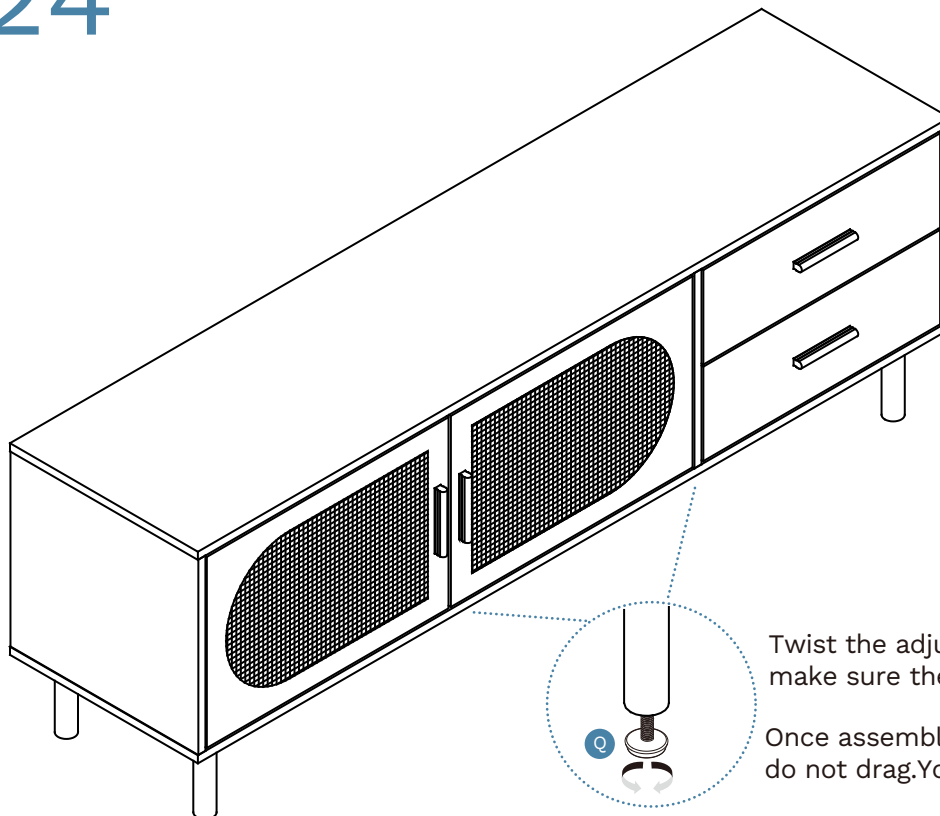
23



Hardware Needed		
X		x2
Y		x2
Z		x2

**Note:** Seek advice from a qualified trades person on how to attach this safety strap to your specific wall.

24



Twist the adjuster on centre leg to make sure the top panel is flush.

Once assembled lift furniture into place, do not drag. You're done, enjoy!

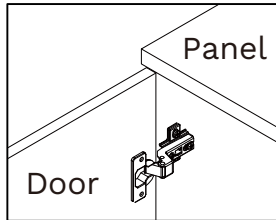
# Canyon

## Entertainment Unit

HOW TO ADJUST THE HINGES TO ALIGN THE DOORS IF NEEDED.

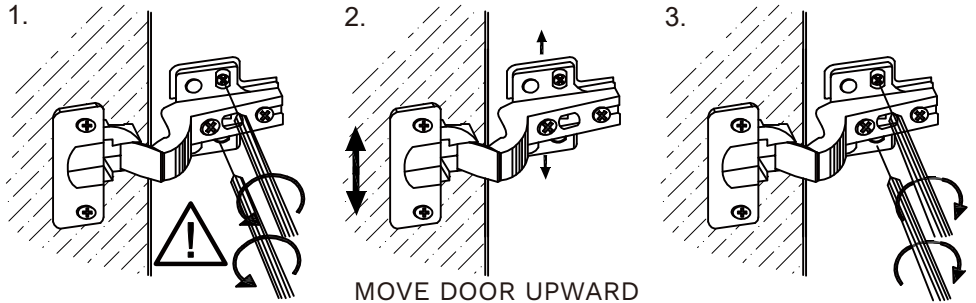
### STEP 1

Open the door.



### STEP 2

Adjust the door panels upward or downward



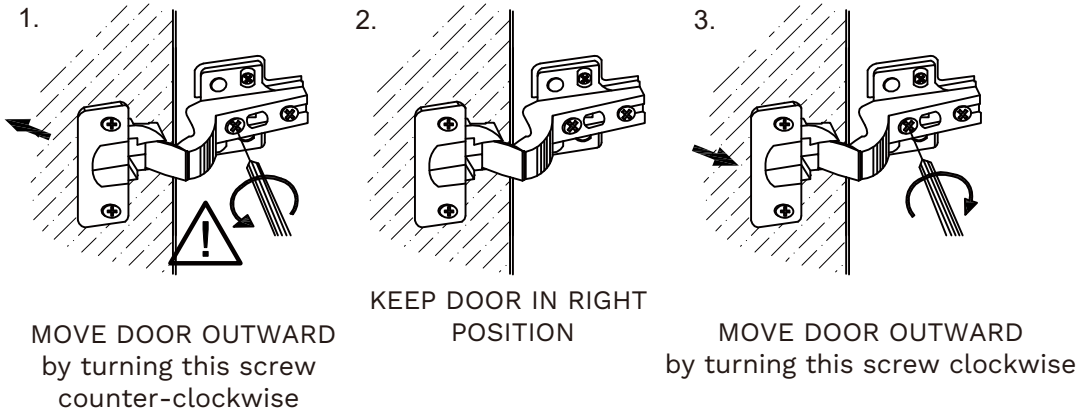
1. Unscrew 2 screws in round holes loosen 2 screws in oval holes a bit.

2. MOVE DOOR UPWARD OR DOWNWARD

3. Tighten 2 screws in oval holes. Screw in 2 screws in round holes

### STEP 3

Adjust the flush between door panel and side panel



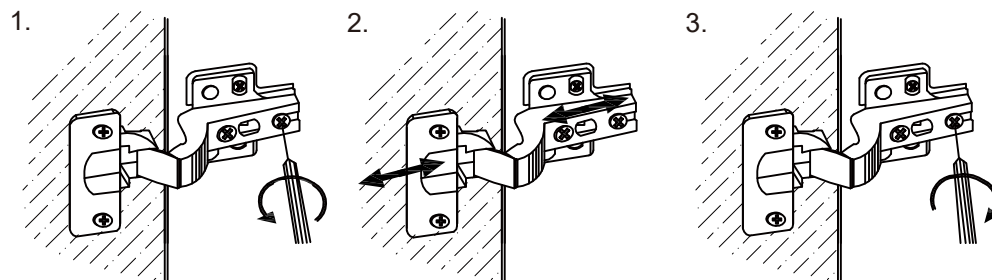
1. MOVE DOOR OUTWARD by turning this screw counter-clockwise

2. KEEP DOOR IN RIGHT POSITION

3. MOVE DOOR OUTWARD by turning this screw clockwise

### STEP 4

Adjust the Gap between door panel and side panel



1. Loosen this screw a bit.

2. MOVE DOOR BACK OR FORTH

3. Re-tighten this screw.